

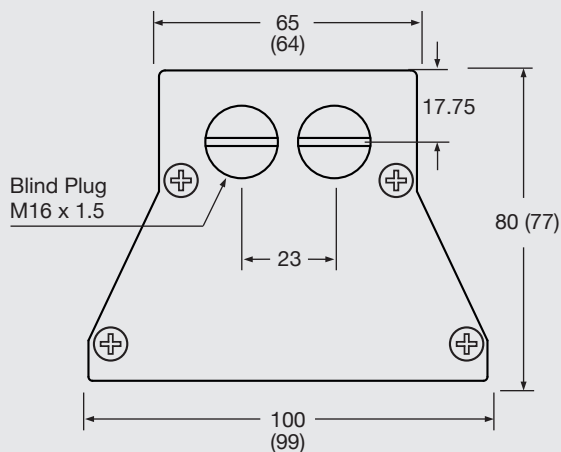
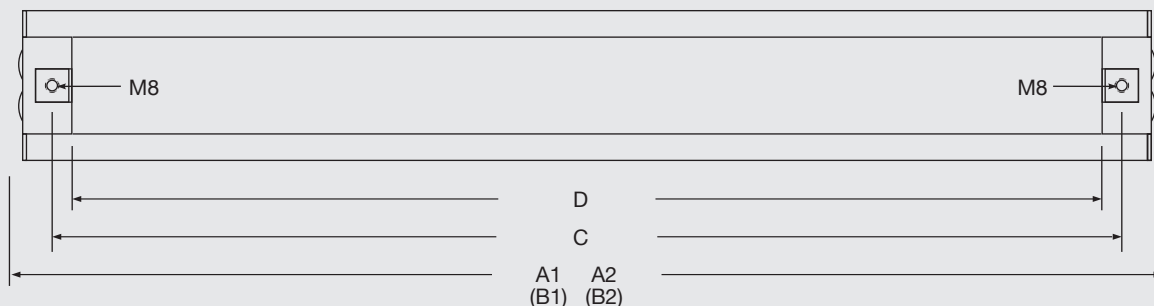
Elstein EBF construction elements are linear heating panels being assembled by Elstein.

They can be equipped with Elstein ceramic panel heaters of the width 60 mm. A combination of different sizes and wattages within the same heater type is possible.

The user does the wiring and the connection with the electricity mains.

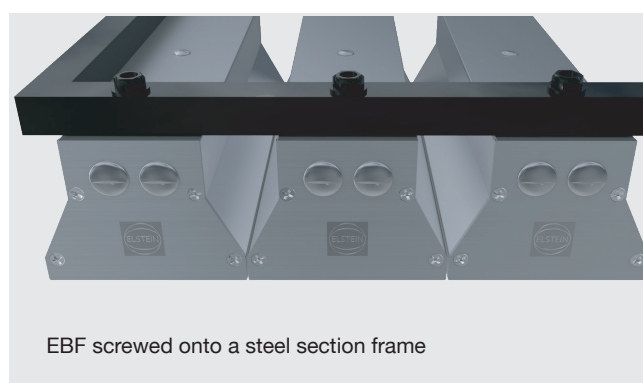
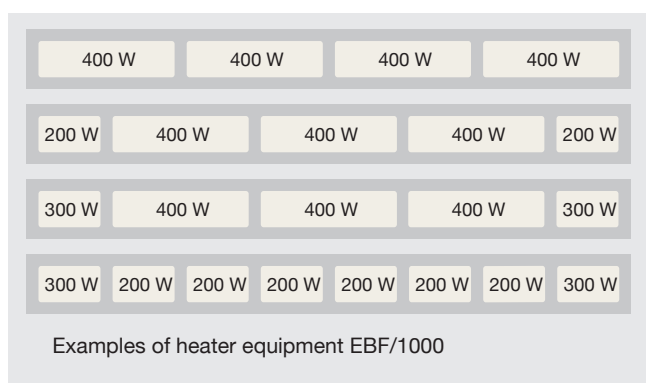
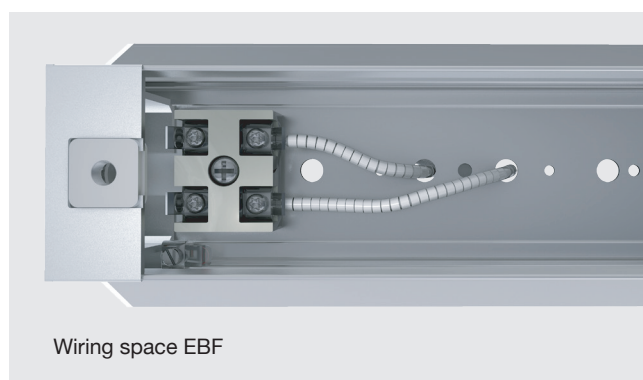
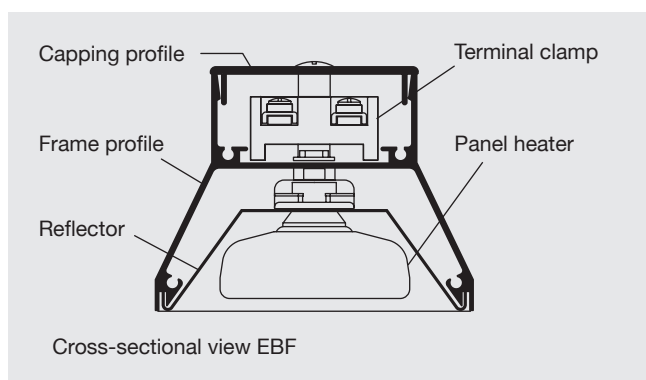
Optionally EBF is available with silicone coated cables.

Heating panels can be realised in any sizes, geometries and positions with Elstein Construction Elements EBF.



Mounting dimensions and EBF dimensions () in mm

| | A1 | B1 | A2 | B2 | C | D |
|--------------------------|---------------------------|------|-------------------------|------|------|------|
| | With M16 x 1.5 Blind Plug | | No M16 x 1.5 Blind Plug | | | |
| EBF/250 | 270 | 262 | 260 | 255 | 217 | 190 |
| EBF/500 | 520 | 512 | 510 | 505 | 467 | 440 |
| EBF/750 | 770 | 762 | 760 | 755 | 717 | 690 |
| EBF/1000 | 1020 | 1012 | 1010 | 1005 | 967 | 940 |
| EBF/1250 | 1270 | 1262 | 1260 | 1255 | 1217 | 1190 |
| Other lengths on request | | | | | | |



Construction Elements EBF are equipped with the following single components:

Ceramic Infrared Heaters

Equipment with panel heaters of the Elstein standard series.

Depending on the selection of heater types and designs, the maximum heaters' surface rating can be up to 76.8 kW/m² for housing lengths up to 500 mm and from 500 mm up to 38.4 kW/m². Heaters with integrated thermocouple can be selected for temperature control purposes.

Reflectors

The reflectors are made from polished stainless steel. They are used for focussing the radiation energy in the direction of the material to be heated. Optionally the reflectors are available separately, too.

Frame and Capping Profile

The frame and capping profile is made from aluminium. The end pieces on the front sides of the frame profile have one thread M8 each for screwing the EBF construction elements on a holder being manufactured by the user. The end pieces also include a labelled safety earth terminal and two drillings with thread M16 for feeding through the cables. The drillings are closed by removable blind plugs. Optionally there are cable glands M16 with strain relief available from our assortment.

Bipolar Terminal Clamps AK

For wiring the ceramic infrared heaters.

Accessories

Temperature controller, thyristor switching units, reflectors, cable glands with strain relief, and wiring material is available in our standard assortment.

Please observe our instructions for mounting, operation and safety.